

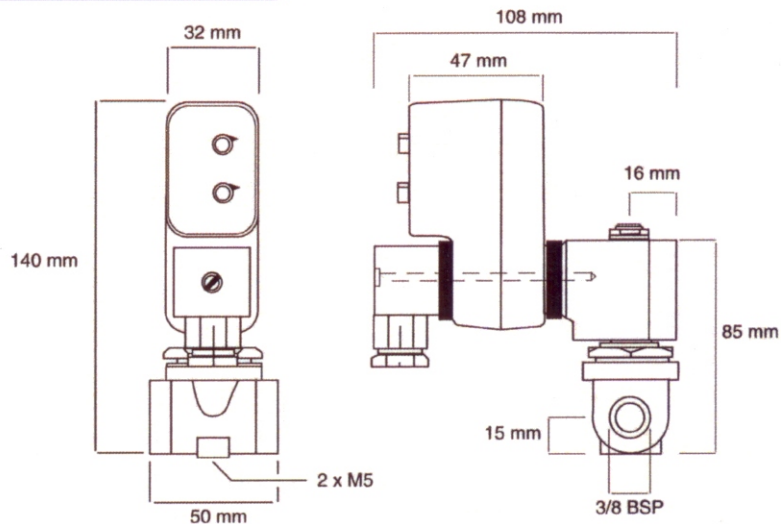
Technical Specifications - Deltomatic 2000

Electronics:

- IP 65 enclosure
- Power supply 24V to 240V - 50/60 Hz
- DIN-type connection
- Interval time 0.5 to 45 minutes
- Discharge time 0.5 to 10 seconds
- Switching capacity 1 Amps

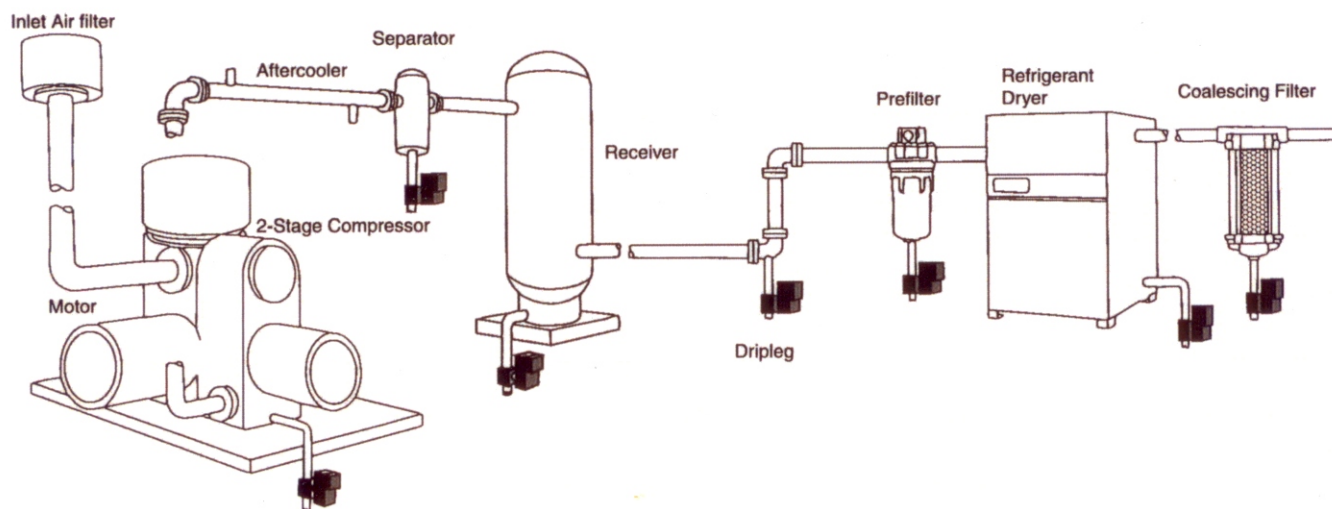
Valve:

- 11 mm orifice
- 2 x M5 mounting connections
- Valve body: brass
- In/out ports 3/8" BSP female
- Maximum working pressure : 21 bar g
- Maximum temperature (ambient) 50°C
- 24 - 240V available (see coil for correct voltage)



Typical Automatic Drain Valve Applications

Compressor installation indicating automatic drain valves at typical condensate collection areas:
Two stage compressor, aftercooler/separator, receiver, dripleg, prefilter, refrigerant dryer, coalescing filter.



Subject to alteration without prior notice

DS-DELT2000-0406-EN

SPX Deltech

Konrad-Zuse-Strasse 25
47455 Moers
Germany
Tel.: +49 (0)2841 819 99
Fax: +49 (0)2841 819 83
e-mail: csc@airtreatment.spx.com
<http://www.spxairtreatment.nl>

